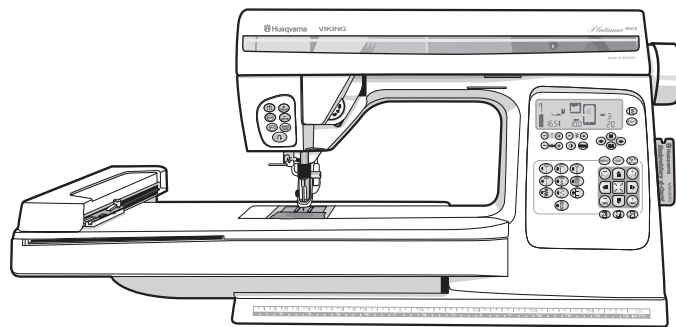


 Husqvarna

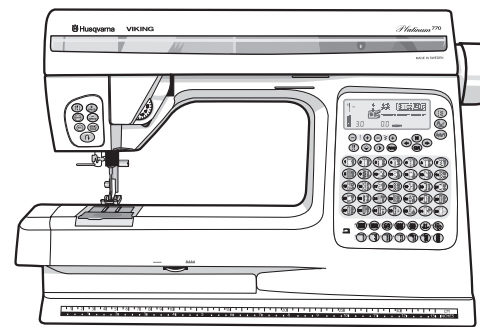
VIKING

The Platinum Family

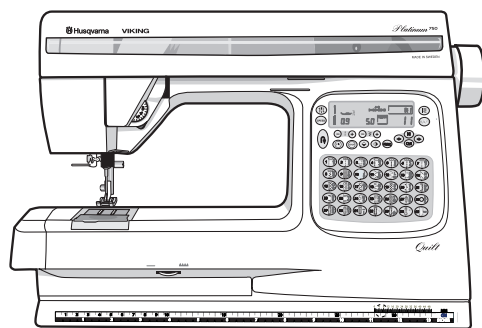
Platinum 950E



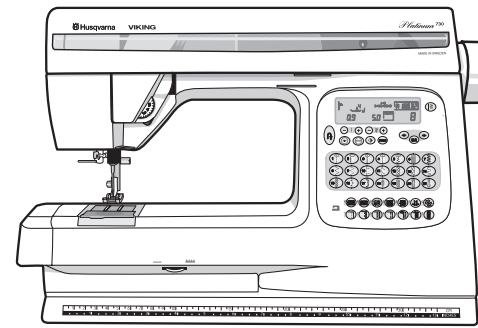
Platinum 770



Platinum 750 *Quilt*



Platinum 730



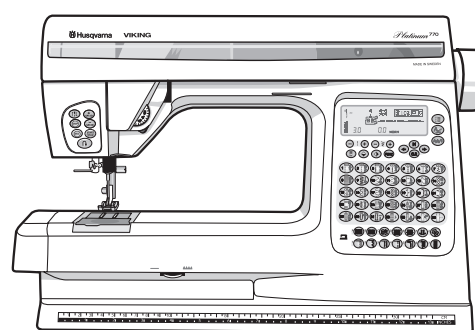
Features and Benefits

KEEPING THE WORLD SEWING

Platinum 950 E



Platinum 770



EMBROIDERY UNIT

Included with the Husqvarna Viking Platinum 950 E is the Large Hoop to sew embroideries up to 9 x 6" (240 x 150 mm). Five optional Embroidery Hoop sizes are available from Mini Embroidery Spring Hoop size 1.6" x 1.6" (40 x 40 mm) up to Mega Hoop size 14.2" x 6" (360 x 150 mm).

INFODISPLAY

Select your stitch and instantly the correct stitch width and length, thread tension and sewing speed are set. The Infodisplay also recommends the presser foot. Override anytime for specialty techniques.

TRULY AUTOMATIC SELF ADJUSTING TENSION

Platinum 950 E top thread tension is set automatically for every sewing technique.

UPPER THREAD SENSOR

Platinum 950 E stops automatically if thread runs out or breaks.

HUSQVARNA VIKING OPTIONAL EMBROIDERY SOFTWARE

Create your own embroidery designs and more by using the optional Husqvarna Viking Embroidery Software. Choose from the most advanced embroidery software for the home sewer.

EXCLUSIVE SEWING ADVISOR

Enter the type of fabric and the sewing technique, and the Husqvarna Viking Platinum 770 instantly chooses the correct stitch, stitch width and length, and sewing speed. Override anytime for specialty techniques. Thread tension, presser foot and presser foot pressure are recommended. The Overview Window shows the exact status of your Sewing Advisor.

GRAPHIC DISPLAY

See and edit stitches before you sew them, the changes appear instantly on your GraphicDisplay. When you select your stitch, the correct stitch width and length, and sewing speed are instantly set. The GraphicDisplay also recommends thread tension, presser foot and presser foot pressure. Override anytime for specialty techniques.

ALPHABETS

Choose between Outline block and Script alphabet. Use one or two of your permanent memories to also include Hiragana or Cyrillic alphabet.

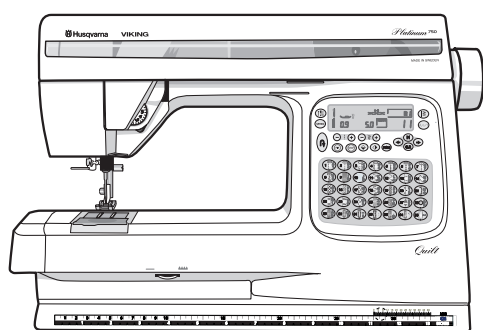
16 DIFFERENT LANGUAGES

Select your preferred language and a pop-up help will guide you while sewing.

TWIN NEEDLE SAFETY

Enter twin needle width and your Husqvarna Viking Platinum 770 sets stitch width to eliminate broken needles.

Platinum⁷⁵⁰ Quilt



INFODISPLAY

Select your stitch and instantly the correct stitch width, length, and sewing speed are set. The Infodisplay also recommends thread tension and presser foot. Override anytime for specialty techniques.

LARGE QUILT STITCH SELECTION

Select from a large selection of quilt stitches including hand look quilting, scant 1/4" piecing stitch, feathered stitch, satin stitch, and more to quilt and embellish your quilting projects.

OUTLINE BLOCK ALPHABET

Label your quilting projects and keepsakes using both upper and lower case letters, numbers 0 - 9 and special characters.

PBB - PERFECTLY BALANCED BUTTONHOLES

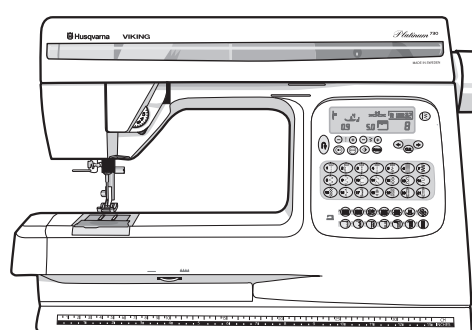


Perfectly balanced buttonholes mean both columns of your buttonhole are sewn in the same direction. PBB ensures professional looking buttonholes that are easy to sew.

PERMANENT MEMORIES

Use the two permanent memories to save stitches and/or lettering. Save up to 30 stitches per memory.

Platinum⁷³⁰



EXCLUSIVE SEWING ADVISOR

Enter the type of fabric and the sewing technique, and your Husqvarna Viking Platinum 730 instantly chooses the correct stitch, stitch width, and stitch length. Override anytime for specialty techniques. Thread tension, presser foot and presser foot pressure are recommended.

INFODISPLAY

Select your stitch and instantly the correct stitch width and length, and sewing speed are set. The Infodisplay also recommends thread tension, presser foot and presser foot pressure. Override anytime for specialty techniques.

ESPECIALLY CHOSEN STITCHES

Choose between a selection of utility and decorative stitches to complete fashionable garments, home decoration projects, children's wear and everything else you need in your daily life.

PBB - PERFECTLY BALANCED BUTTONHOLES



Perfectly balanced buttonholes mean both columns of your buttonhole are sewn in the same direction. PBB ensures professional looking buttonholes that are easy to sew.

PERMANENT MEMORY

Use the Platinum 730 memory to save up to 30 stitches.

All Platinum models Feature:

EASY THREADING

Follow the top threading guide arrows for easy threading.

AUTOMATIC NEEDLE THREADER

Built-in needle threader eliminates tedious hand threading.

TWO BUILT-IN SPOOL PINS

Easy threading for twin needle and other specialty sewing and topstitching techniques.

BOBBIN WINDS FROM NEEDLE

No need to unthread or rethread to wind a bobbin.

AUTOMATIC BOBBIN THREAD PICK-UP

No need to bring bobbin thread up manually.

SNAP ON AND OFF PRESSER FEET

Change presser feet quickly and easily.

ADJUSTABLE PRESSER FOOT PRESSURE

Even feed on bulky knits to fine sheers.

DIRECT STITCH SELECTION

Select your stitches directly on your Touch Panel.

ADJUSTABLE STITCH LENGTH AND STITCH WIDTH

Adjust stitch width and length from 0 - 6 mm for specialty sewing.

25 NEEDLE POSITIONS

Set needle position perfectly for quilting, stitching in the ditch, topstitching, zippers, specialty techniques and accessory presser feet.

STOP FUNCTION

Touch STOP to finish stitch pattern at end and tie off automatically. Program STOP to end sewing at a specific stitch or program.

FIX FUNCTION

Touch FIX to stop and lock any stitch instantly with tiny forward and backward stitches.

MIRROR IMAGE

Flip stitches and/or stitch programs side to side and/or end to end for unlimited creative combinations and easy fabric positioning while you sew. For Platinum 730 and Platinum 950 E flip stitches and/or stitch programs side to side.

SELECTIVE NEEDLE STOP UP/DOWN

Set needle to stop up or down. Tap the foot control or touch needle up/down button to move needle up or down at any time. For Platinum 730, tap the foot control to place the needle in down position.

INSTANT AND PERMANENT REVERSE

Touch reverse to sew any stitch in reverse for a lockstitch and tie off. Touch reverse twice for continuous reverse.

ERGONOMICALLY DESIGNED

Convenient up-front threading, bobbin winding and placement, free arm, all settings at your fingertips with simple function buttons. One piece aluminium casting is lightweight yet strong, long lasting and prevents vibration. The large foot control allows comfortable sitting position.

SLIDE-ON ACCESSORY BOX

Store your bobbins, accessory feet, needles and more, right at your fingertips. The new extended working area facilitates working with larger projects.

BUILT-IN RULER

Ruler on front base of Platinum lets you measure at your fingertips. Convert from inches to centimeters in an instant.

ATTRACTIVE CARRYING CASE

Easy to carry and protects your Platinum and accessories for storage and/or transport.

MADE IN SWEDEN

Husqvarna Viking has engineered superior quality and cutting edge technology sewing machines for over 130 years.

PERMANENTLY LUBRICATED

No oiling means no oil on fabric.

JAMPROOF ROTARY HOOK

No tangled threads or threads sewn down into the machine.

ELECTRONIC SPEED CONTROL AND PIERCING POWER

Stitch by stitch control with full needle penetration at any speed.

EDUCATION PACKAGE

All Husqvarna Viking Platinum sewing machines come with a User's Guide plus a step by step Handbook with exercises plus a copy of the ZigZag magazine. Husqvarna Viking Accessory User's Guide teaches you how to use over 40 accessories to make specialty technique sewing faster and easier. Your Husqvarna Viking Platinum 770, Platinum 750 Quilt, and Platinum 730 come with a companion video and your Platinum 950 E comes with companion CD for visual guidance and instruction on how to use your new sewing machine. For the Platinum 950 E there's even a software demo CD plus the Embroidery Collection booklet, all included to guide and inspire your joy of sewing.

Platinum 950 E

Embroidery Features

SLIDE-ON EMBROIDERY UNIT

Instant embroidery ability with large embroidery support surface. Easy to place and easy to remove.

AUTOMATIC FEED TEETH

Feed teeth lower automatically for embroidery and come up automatically for sewing.

HOOP

Husqvarna Viking Platinum 950 E includes the Large Hoop to sew embroideries up to 9.6" x 6" (240 x 150 mm).

EMBROIDERY d-CARDS

Husqvarna Viking Platinum 950 E includes the Embroidery d-Card 100s featuring 21 beautiful embroideries for all types of projects. Also included is the Embroidery d-Card 100z, Clarendon, for monogramming and numbering.

PLATINUM 950 E BOOKLET

The Platinum 950 E Sampler pictures designs actual size and gives colors of thread by number.

PREVIEW DESIGN SIZE AND PLACEMENT

Preview the size and placement by touching the corner test function.

MOVE DESIGN IN HOOP

Touch positioning buttons to move design within hoop for precision placement.

ENLARGE AND REDUCE SIZE

Sew different sizes for each design. Change embroidery size quickly by touching the stitch length and width buttons.

STEP THROUGH DESIGNS

Step through designs by color or by stitch to move forward or backward to any part of a design or to sew only parts of a design.

CHANGE THE BOBBIN THREAD WITHOUT REMOVING THE HOOP

Touch bobbin access symbol to conveniently move the hoop to the proper position to easily remove the bobbin.

PARK POSITION

Touch the park position symbol to move the embroidery arm to rest position.

FIX BASTE

Touch FIX to baste fabric in the hoop and outline the embroidery area.

COLOR STOPS

Platinum 950 E stops sewing and beeps to alert you when it's time for color change.

EASY ONE COLOR EMBROIDERY

Simply touch the STOP button to cancel color stops to sew one color and tone on tone embroideries.

EMBROIDERY ROTATION

Rotate designs easily in 90 degree steps for additional design opportunities and easy hooping.

EMBROIDERY MIRROR IMAGE

Flip designs for twice as many design possibilities and easy hooping.

PLACEMENT TEMPLATE

Placement template is included. Trace the design onto the placement template and mark placement lines.

EMBROIDERY SEWING SPEED

Speed is computer controlled for best stitch quality or control manually for specialty threads.

HUSQVARNA VIKING EMBROIDERY COLLECTION

Highest quality embroidery designs from top name sewing designers.

OPTIONAL EMBROIDERY ACCESSORIES

HUSQVARNA VIKING MEGA HOOP

Embroider bigger designs than ever - up to 14.2" x 6" (360 x 150 mm).

HUSQVARNA VIKING MIDSIZE HOOP

Embroider designs up to 6 3/8" x 4" (170 x 100 mm).

HUSQVARNA VIKING STANDARD HOOP

Embroider designs up to 4" x 4" (100 x 100 mm).

HUSQVARNA VIKING EMBROIDERY SPRING HOOP

Use the Spring Hoop, design area 4" x 4" (100 x 100 mm), for quick and easy hooping.

HUSQVARNA VIKING MINI EMBROIDERY SPRING HOOP

Use the Mini Spring hoop, design area 1.6" x 1.6" (40 x 40 mm), for perfect result on smaller pieces of fabrics like collars and pockets.

HUSQVARNA VIKING EMBROIDERY SOFTWARE

Choose from the most advanced Embroidery Software for the home sewer. Purchase step by step or all at once. Husqvarna Viking provides programs that allow sewers the option to move at their own pace as their creativity flourishes.

d-CARD READER/WRITER FOR PLATINUM 950 E

Includes Personal d-Card for transferring designs from your computer via USB-port to be embroidered on your Platinum 950 E.

TOTAL AMOUNT OF STITCHES

Platinum 950 E – 133 stitches
Platinum 770 – 337 stitches plus Cyrillic 64 and Hiragana 64
Platinum 750 Quilt – 168 stitches
Platinum 730 – 42 stitches

Choose between a wide selection of utility stitches, decorative stitches, lettering, numbering, and special characters.

UTILITY STITCHES

Platinum 950 E – 19 stitches
Platinum 770 – 35 stitches
Platinum 750 Quilt – 35 stitches
Platinum 730 – 21 stitches

Choose between a wide selection of utility stitches including different buttonhole styles used for garment and project sewing, mending and darning.

PBB - PERFECTLY BALANCED BUTTONHOLES



Perfectly balanced buttonholes means both columns of your buttonhole are sewn in the same direction. PBB ensures professional looking buttonholes on all Platinum models and are easy to sew.

DECORATIVE STITCHES

Platinum 950 E – 16 stitches
Platinum 770 – 105 stitches
Platinum 750 Quilt – 35 stitches
Platinum 730 – 21 stitches

Personalize your sewing projects with the different decorative stitches ranging from fashion, quilting, heirloom stitches, and more.

ALPHABETS

Platinum 950 E – Outline block alphabet
Platinum 770 – Outline block alphabet/Script alphabet plus Cyrillic/Hiragana alphabet
Platinum 750 Quilt – Outline block alphabet

The alphabets include upper and lower case letters, numbers 0 - 9 and special characters.
Great for labelling kid's clothing, quilts and keepsakes!

PERMANENT MEMORIES

Platinum 950 E – 4 memories
Platinum 770 – 4 memories
Platinum 750 Quilt – 2 memories
Platinum 730 – 1 memory

Use the Platinum memories to save stitches and/ or lettering. Save up to 30 stitches per memory. For Platinum 770 save up to 55 stitches.



 **Husqvarna**

VIKING

VSM Group AB • SE-561 84 Huskvarna, Sweden
www.husqvarnaviking.com